

## ACCESSOIRES / ACCESSORIES

### Single Shot Cover Guard

Code 019523



### Battery

Code 019336



### Battery charger + cable

Code 019649 (EU)

Code 019482 (UK)



### Cable

Code 018885 (EU)

Code 018886 (UK)

### Tool cleaner 300ml

Code 115251



### Lubricating oil

Code 401482



### Cleaning Kit

Code 013690



# PULSA

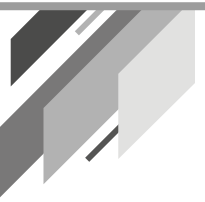
## IF - Insulfast

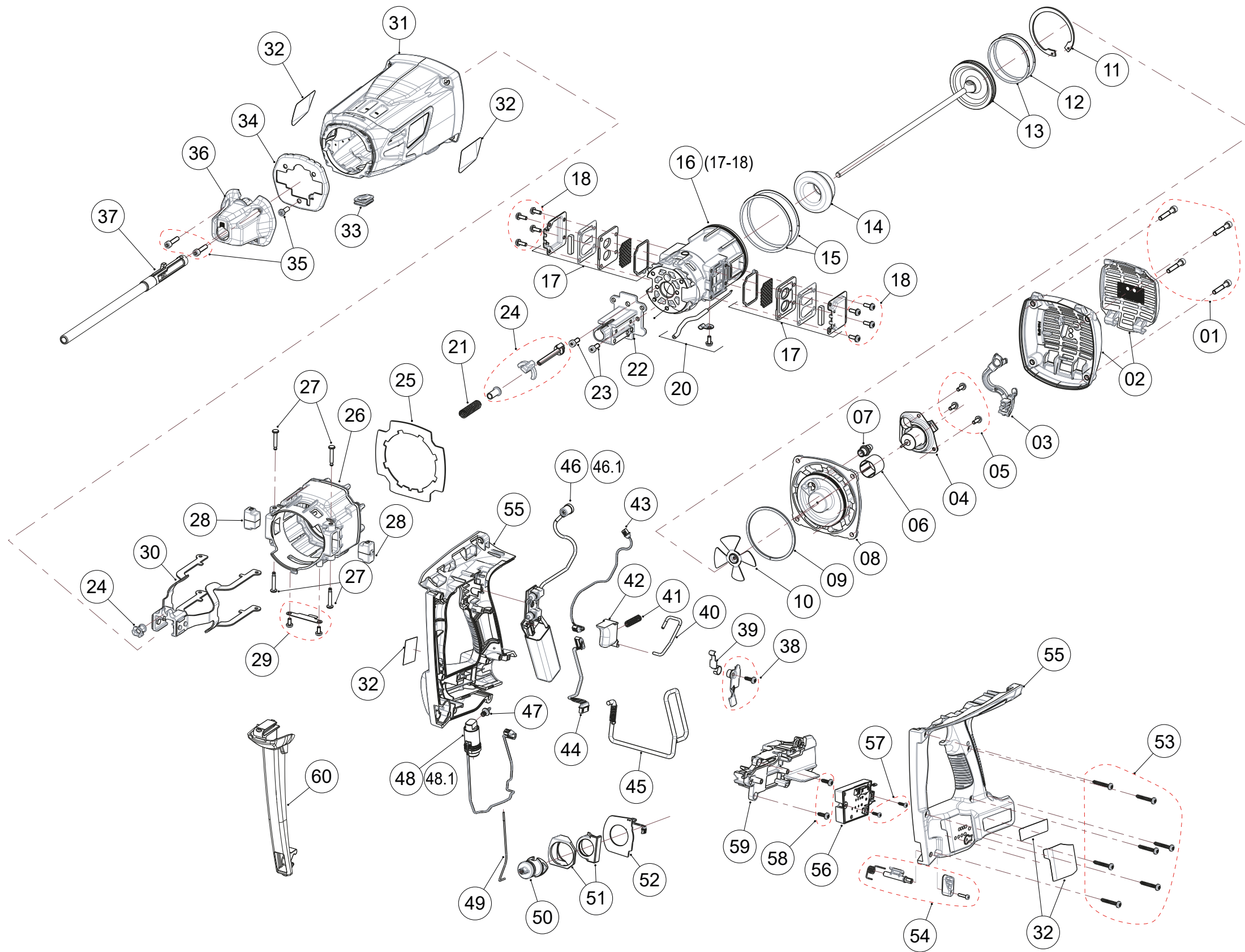
### TOOL SCHEMATIC AND PARTS



#### IMPORTANT! DO NOT DESTROY

Always refer to operating and safety instructions (#019344 & #014749) for detailed information on this tool. It is the customer's responsibility to have all operators and service personnel read and understand this information.





REP	CODE	DESIGNATION	DESCRIPTION
01	019354	Ens. 4 vis CHC M5-30 capot arrière	4 CHC M5-30 screws assy
02	019452	Ens. capot arrière	Rear cap assy
03	019453	Guide fil bougie	Wire guide
04	018416	Ens. moteur électrique avec support	Fan motor assy
05	018415	Ens. 3 vis moteur torx 8-32x7/16	3 Motor screws torx 8-32x7/16 assy
06	321590	Gaine moteur	Motor sleeve
07	013731	Ens. bougie	Spark plug assy
08	019454	Culasse	Cylinder head
09	018435	Ens. 2 segments culasse	2 Cylinder head metal ring assy
10	321660	Ventilateur	Fan blade
11	019455	Circlip piston	Stop retaining ring
12	019456	Ens. 2 segments piston	2 Metal piston metal assy
13	018194	Ens. masselotte	Piston assy
14	018434	Amortisseur piston	Bumper
15	019458	Ens. 2 segments cylindre	2 Metal sleeve metal ring assy
16	019459	Ens. cylindre	Cylinder assy
17	019509	Ens. 2 échappements	2 Exhaust assy
18	019460	Ens. 8 vis échappement	8 exhaust screws assy
20	019511	Ens. tube injection	Injection pipe assy
21	019512	Ens. ressort chambre combustion	Combustion chamber spring assy
22	019462	Support guide tampon	Pin guide support
23	019463	Ens. 2 vis support guide tampon	2 Pin guide support screws assy
24	019513	Ens. axe réglage DOD	DOD adjustmnt axis assy
25	019464	Membrane étanchéité	Air dam membrane
26	019465	Ens. chambre de combustion	Combustion chamber assy
27	018475	Ens. 4 axe chambre	4 Combustion chamber stop pin assy
28	019466	Ens. 2 amortisseurs chambre	2 Combustion chamber bumper assy
29	019467	Ens. butée verrou chambre	Combustion chamber lockout assy
30	019468	Cage	Upper probe
31	019469	Carter	Housing body
32	018195	Ens. kit étiquette P27 IF	Label kit P27 IF assy
33	019470	Pare chaleur	Electrovalve heat protection
34	019471	Insert défecteur	Deflector insert
35	019472	Ens. 3 vis défecteur	3 Deflector insert screws assy
36	019473	Défecteur	Deflector
37	018196	Guide tampon P27 IF	P27 IF nose piece
38	019516	Ens. support levier contacteur	Contact level plate assy
39	019476	Levier contacteur mise en appui	Contact level
40	019477	Verrou de chambre	Combustion chamber lock bar
41	019517	Ressort détente	Trigger spring
42	019518	Détente	Trigger
43	019478	Faisceau électrique moteur	Electric motor wires
44	018454	Faisceau électrique latine LED	Wire plate LED
45	019479	Ens. crochet ceinture	Belt hook assy
46	018197	MEFI P27 IF	MEFI P27 IF
46-1	019198	MEFI P27 IF "Orange"	MEFI P27 IF "Orange"
47	013739	Ens. raccord électrovanne	Electrovalve plug connection
48	018453	Electrovanne	Electrovalve
48-1	018496	Electrovanne "Orange"	"Orange" Electrovalve
49	018470	Ens. tube intermédiaire	Intermediary pipe assy
50	018472	Ens. raccord cartouche	Fuel cell connection assy
51	018476	Ens. bouton éjection cartouche	Fuel cell ejection button assy
52	018463	Antenne RFID	Antenna
53	019480	Ens. 7 vis poignée	7 handle screws assy
54	018442	Ens. verrou magasin	Lock magasin assy
55	019501	Ens. poignée D & G	Right & left handle assy
56	018448	Platine LED	LED plate
57	018480	Ens. 2 vis platine LED	2 LED plate screws assy
58	018479	Ens. 2 vis support cartouche	2 Fuel cell support assy
59	019502	Support cartouche	Fuel cell support
60	018199	Bloc connexion single shot	Single shot shear bloc